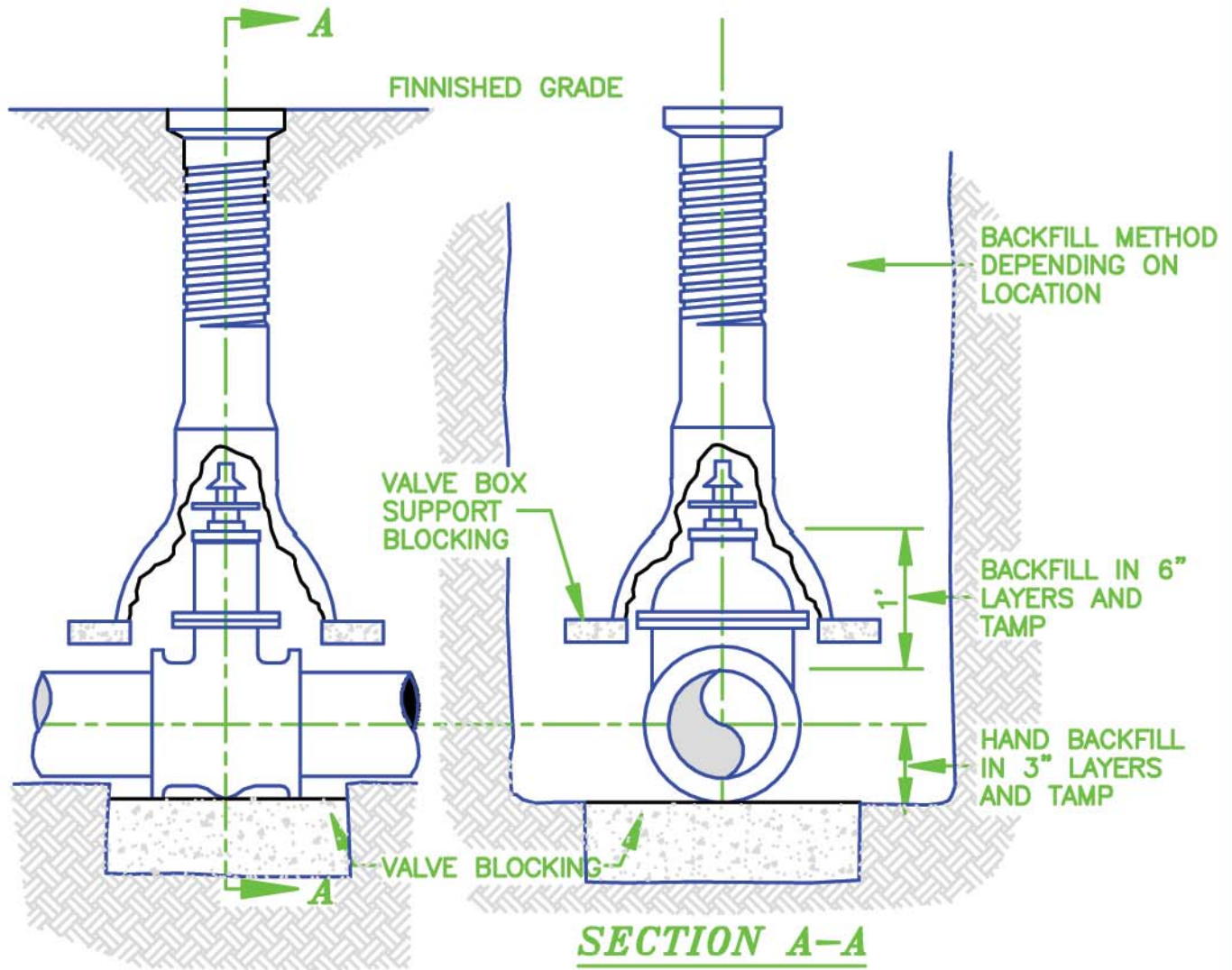


LONGS PEAK WATER DISTRICT

DISTRICT SPECIFICATION DETAIL DRAWING



VALVE BOX SHALL BE CENTERED AND PLUMB OVER THE WRENCH NUT AND SHALL NOT TRANSMIT SHOCK WAVES OR STRESSES TO THE VALVE.

VALVE SHALL BE BLOCKED WITH BRICK, CINDER BLOCK OR OTHER SUITABLE MASONRY MATERIAL.

VALVE BOX DETAIL

SCALE: NONE

REV. 1-1-06